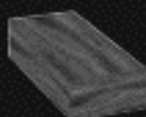


TREATED LANDSCAPE

Ironwood Sleepers (Treated) Hazard Level-H4



The technically advanced cutting pattern and machinery used on the Ironwood Sleeper range improves treatment penetration, guaranteeing not only longer life and superior protection against rotting and termite attack but also a superior finish. All ironwood sleepers, whether with an incised or sawn finish, are treated to a H4 rating for in-ground use, under A91804.

SIZE mm	
150 x 50 x 2.4m	
150 x 50 x 3.0m	
125 x 75 x 2.4m	
125 x 75 x 3.0m	
200 x 50 x 2.4m	
200 x 50 x 3.0m	
150 x 75 x 2.4m	
150 x 75 x 3.0m	
200 x 75 x 2.4m	
200 x 75 x 3.0m	
150 x 100 x 2.4m	
150 x 100 x 3.0m	
200 x 100 x 2.4m	
200 x 100 x 3.0m	

H3 Treated Fence Palings, WET

SIZE mm	
100 x 16 x 1.5	
100 x 16 x 1.8	
100 x 16 x 2.1	
100 x 16 x 2.4	
150 x 12 x 1.5	
150 x 12 x 1.8	

H4 Treated Fence Posts, WET

150 x 50	
125 x 125	
125 x 75	
100 x 75	

H3 Treated Fence Rails, WET

75 x 50	
100 x 50	

H3 Treated Fence Capping, WET

125 x 38	

ROUGER HEADED/SHIPLAP/SAWN WET

H3 Treated Rougher Header Dry

SIZE mm	
42 x 19	
70 x 19	
90 x 19	
140 x 19	
190 x 19	
45 x 35	
45 x 45	

H3 Treated Rougher Header Dry F7

SIZE mm	
70 x 35	
90 x 35	
140 x 35	
190 x 35	
70 x 45	
90 x 45	
140 x 45	
190 x 45	
240 x 45	
290 x 45	
140 x 70	
190 x 70	
240 x 70	
290 x 70	

} Avail
by
special
order
within
24hrs

H4 Treated Rougher Header Dry F7

SIZE mm	
90 x 70	
90 x 90	

H3 Treated Dar Shiplap

SIZE mm	
135 x 19	
135 x 12 (lining board)	

Treated Sawn, WET

SIZE mm	
75 x 25	
100 x 25	
150 x 19	
150 x 25	
200 x 25	
75 x 50	
100 x 50	
150 x 50	
200 x 50	
100 x 100	
125 x 125	
100 x 75	

TREATED PINE PICKETS/PRIMED FINGER JOINTED

H3 Treated Pickets

Frank's Fencing Services stock & recommend only Motueka Lumber Co brand premium fence pickets. Being Kiln dried means that pickets are less likely to warp, twist or bow, and are ready to paint or stain straight away.

SIZE m

.9

1.2

1.5

1.8



Colonial



Acorn



Gothic



Round



Blank

Post Tops

SIZE mm

90

Windsor



Round



Acorn



Gothic



Dar, Pink Primed Finger Jointed Clear H3 Treated

SIZE mm

18 x 18

31 x 18

42 x 18

66 x 18

92 x 18

Dar, Pink Primed Finger Jointed Clear H3 Treated

SIZE mm

110 x 18

115 x 18

138 x 18

185 x 18

230 x 18

31 x 31

42 x 31

Fascia 180 x 18

Fascia 180 x 25

Quad 18 x 18

Scotia 31 x 31

66 x 30

90 x 30

138 x 30

190 x 30

230 x 30

280 x 30

42 x 42

66 x 42

90 x 42

138 x 42

190 x 42

230 x 42

280 x 42



Fascia



Scotia

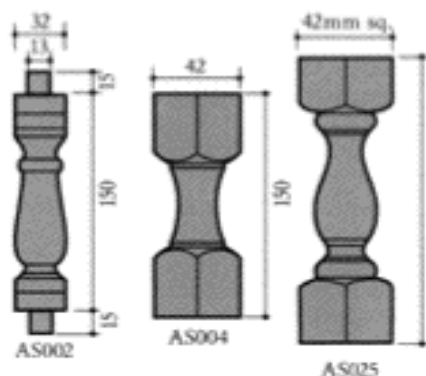


Quad

FEDERATION STYLE PRODUCTS

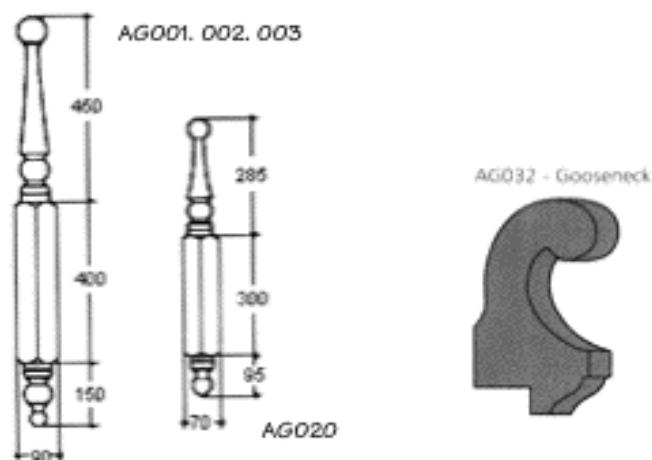
Frieze Spindles

CODE	SIZE
AS001	32x32x150
AS002	32x32x150
AS003	42x42x200



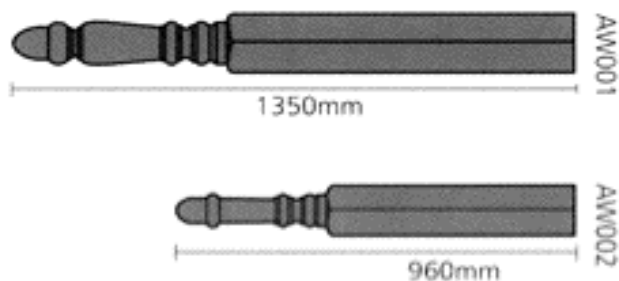
Gable Spires / Finials

CODE	SIZE	TYPE
AG020	680mm	G5613
AG001	1000mm	G5714
AG002	1200mm	G5716
AG003	1500mm	G5719
AG032	-	Gooseneck



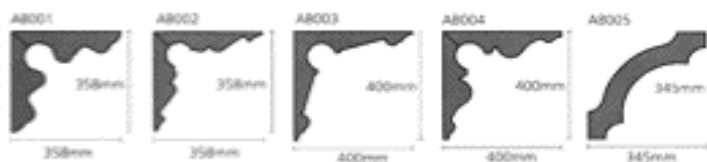
Wall Plates

CODE	TYPE
AW001	FWP115
AW002	CWP90



Verandah Brackets

CODE	TYPE
AB001	HBV1
AB002	HBV2
AB003	HBV3
AB004	HBV4
AB005	HBV5



PRIMED HANDRAILS & BEAMS

Pink Primed Handrail Components Finger Jointed Clear H3 Treated

Description	SIZE mm	
Handrail	79 x 63	
Handrail	66 x 42	
Bottom rail	65 x 30	
Handrail triple	90 x 45	
Bottom Rail	88 x 33	

Pink primed handrail components FJ Clear H3 Treated



Handrail 79 x 63



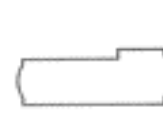
Handrail triple



Handrail 66 x 42



Bottom rail
65 x 30

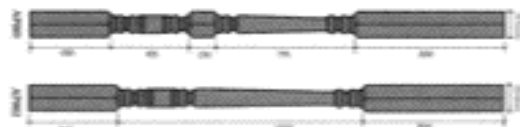


Bottom rail
88 x 33

We can also order a wide range of different shapes and sizes of handrails, gable spires, and federation products.
 Come in and see us, or fax / email your diagrams, and we will do our best to meet your requirements.

Verandah Posts

Code	Type	
AP001	Square	
AP002	Round	
AP003	Camden	
AP004	Flagstaff	
AP010	Square YP	



PRIMED HANDRAILS & BEAMS

Primed H3 Laminated Posts

Description	SIZE mm	
H3 Post	88 x 88	
H3 Post	112 x 112	
H3 Post	135 x 135	

Primed H3 DAR laminated Beams

Description	SIZE mm	
GLB Beam	140 x 65	
GLB Beam	180 x 65	
GLB Beam	240 x 65	
GLB Beam	290 x 65	

DTL Balusters, Unprimed, H3 Clear

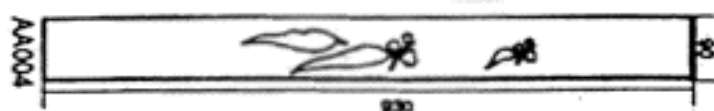
Finished Size	Length	
42 x 19mm	0.930 & 1.200	
68 x 19	0.930 & 1.200	
90 x 19	0.930 & 1.200	
42 x 32	0.930 & 1.200	
42 x 42	0.930 & 1.200	

Balusters

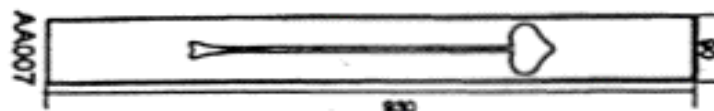
Balusters

Description	SIZE mm
Balusters	90 x 19 x 930mm
'Gumnut' Baluster	90 x 19 x 930mm

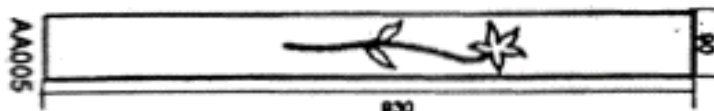
Gumnut



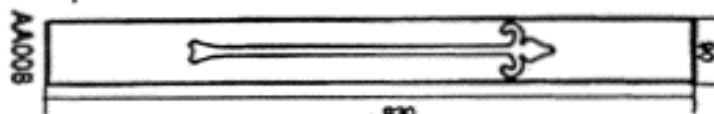
Heart



Poinsettia



Spade



Tulip



Club



Frieze Panels

Description	SIZE mm
All Frieze panels	90 x 19 x 200mm



AS030



AS031



AS032



AS027



AS028



AS029

(90x19x200)

FENCING (LINEAR METRE RUNS)

Standard Paling fence (With Posts)

Description	Type	
0.9m / 2 Rail	Paling	
0.9m / 2 Rail	Lapped	
0.9m / 2 Rail	Lap & Cap	
1.2m / 2 Rail	Paling	
1.2m / 2 Rail	Lapped	
1.2m / 2 Rail	Lap & Cap	
1.5m / 2 Rail	Paling	
1.5m / 2 Rail	Lapped	
1.5m / 2 Rail	Lap & Cap	
1.8m / 3 Rail	Paling	
1.8m / 3 Rail	Lapped	
1.8m / 3 Rail	Lap & Cap	
2.1m / 3 Rail	Paling	
2.1m / 3 Rail	Lapped	
2.1m / 3 Rail	Lap & Cap	
2.4m / 4 Rail	Paling	
2.4m / 4 Rail	Lapped	
2.4m / 4 Rail	Lap & Cap	

FENCING (LINEAR METRE RUNS)

Standard Paling fence (Without Posts)

Description	Type	
0.9m / 2 Rail	Paling	
0.9m / 2 Rail	Lapped	
0.9m / 2 Rail	Lap & Cap	
1.2m / 2 Rail	Paling	
1.2m / 2 Rail	Lapped	
1.2m / 2 Rail	Lap & Cap	
1.5m / 2 Rail	Paling	
1.5m / 2 Rail	Lapped	
1.5m / 2 Rail	Lap & Cap	
1.8m / 3 Rail	Paling	
1.8m / 3 Rail	Lapped	
1.8m / 3 Rail	Lap & Cap	
2.1m / 3 Rail	Paling	
2.1m / 3 Rail	Lapped	
2.1m / 3 Rail	Lap & Cap	
2.4m / 4 Rail	Paling	
2.4m / 4 Rail	Lapped	
2.4m / 4 Rail	Lap & Cap	

Galvanised Steel Posts available - 50 x 50mm Square tubular,

2.1m post

2.4m post
Post caps \$€

3.0m post

Rail holder brackets (Hot dipped Galv.)
• Longer/Shorter post sizes available by special order.

LATTICE

Fine Sawn Lattice 25mm Square Aperture H3 Treated

SIZE mm	
1800 x 300	
1800 x 600	
1800 x 900	
1800 x 1200	
1800 x 1500	
1800 x 1800	
2400 x 300	
2400 x 600	
2400 x 900	
2400 x 1200	
2400 x 1500	
2400 x 1800	
3000 x 300	
3000 x 600	
3000 x 900	
3000 x 1200	
3000 x 1500	
3000 x 1800	
Lattice Surround	
70 x 45mm	
70 x 35mm	
90 x 35mm	

Dressed Lattice H3 Treated DAR

SIZE mm	
1800 x 600	
1800 x 900	
1800 x 1200	
1800 x 1500	
1800 x 1800	
2400 x 600	
2400 x 900	
2400 x 1200	
2400 x 1500	
2400 x 1800	
3000 x 600	
3000 x 900	
3000 x 1200	
3000 x 1500	
3000 x 1800	
H3 Treated Lath	
42 x 13	
38 x 13	
24 x 12	

Kiln Dried Scantling & Framing

Franks Fencing Services can supply a range of Treated Structural Framing. This is available mainly in pack lots. Below is a list of dimensions and pack sizes available. Contact us today for a price.

End Section (mm)	Length	Pieces/Pack
70 x 35	2.4/6.0	198
70 x 35	DTL	198
90 x 35	2.4/6.0	144
90 x 35	DLT	144
120 x 35	2.4/6.0	108
140 x 35	2.4/6.0	90
190 x 35	2.4/6.0	72
70 x 45	2.4/6.0	154
70 x 45	DTL	154
90 x 45	2.4/6.0	12
90 x 45	DTL	112

What is Rhino Termi-nator® Framing?



Rhino Termi-nator® framing has been chemically treated with a digestive insecticide that protects against termite attack. The treated timber is safe to handle and poses no threat to humans, plants or animals, but it is toxic to the timber's natural enemies. Rhino Termi-nator® framing is treated to a H2 level making it suitable for applications where it is not exposed to the weather such as wall frames and roof trusses. When combined with sensible whole of house protection, Rhino Termi-nator® treated framing provides an effective barrier to termite damage.